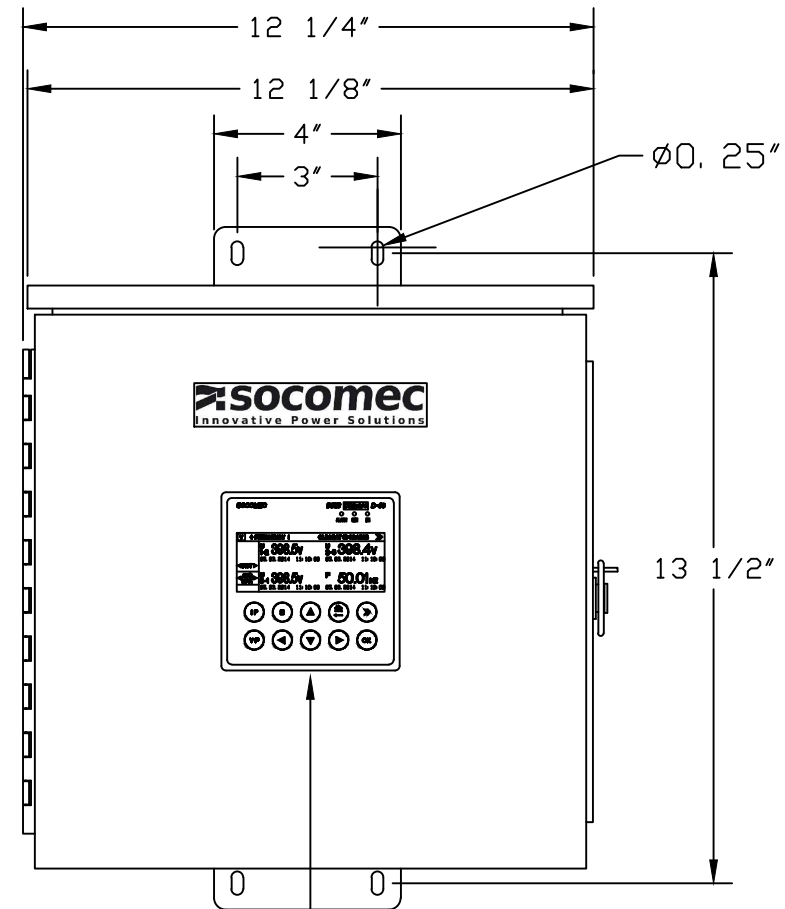
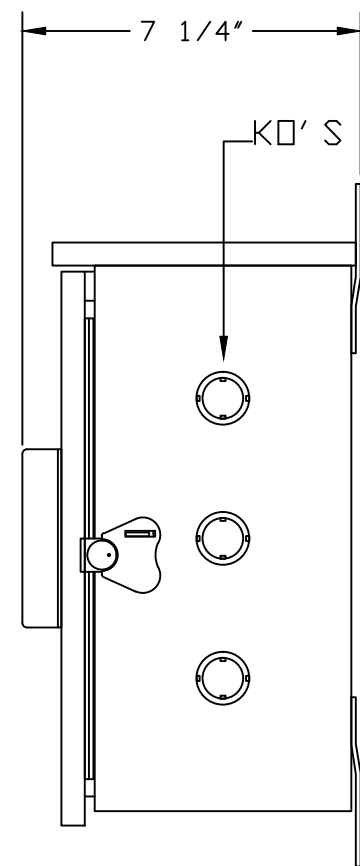


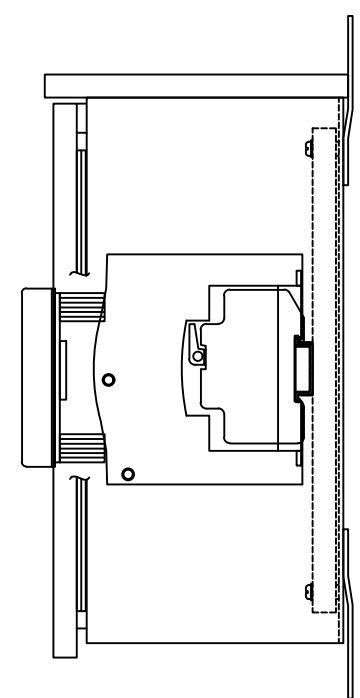
LEFT SIDE VIEW



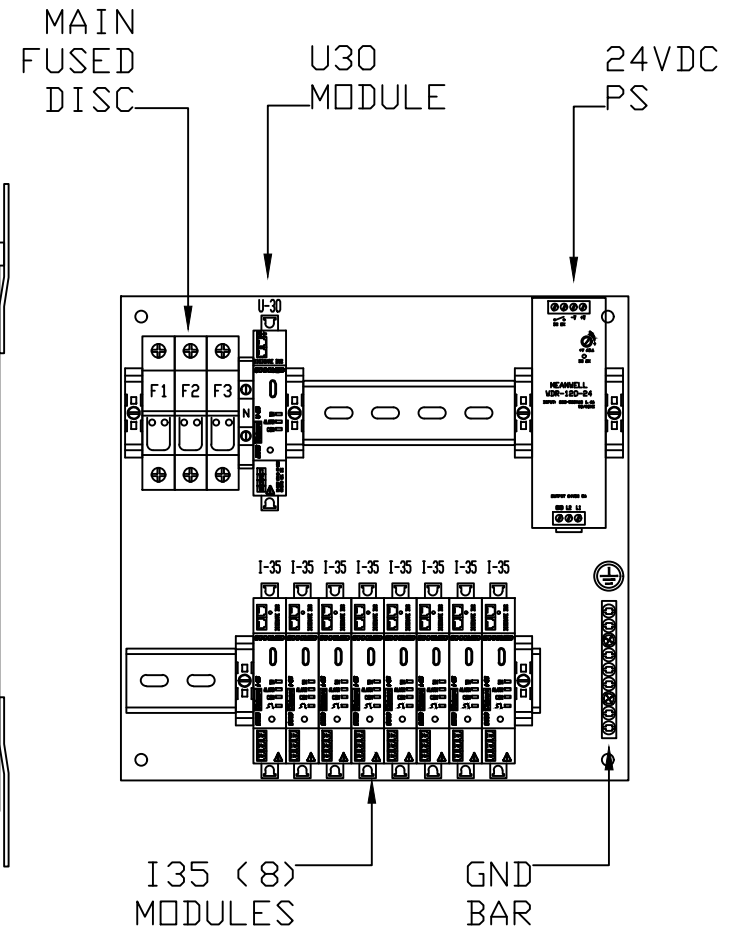
FRONT VIEW



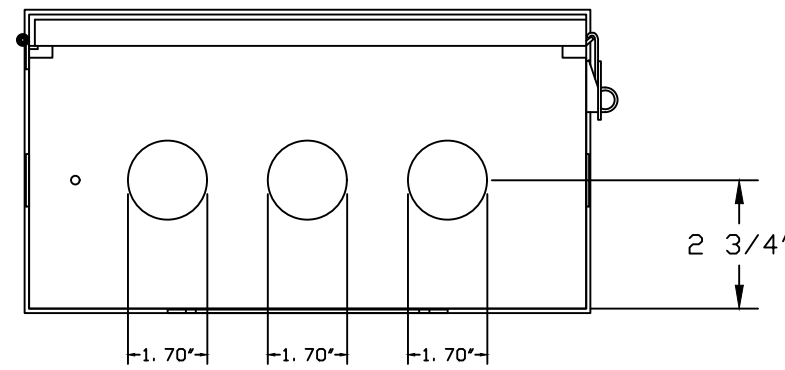
RIGHT SIDE VIEW



RIGHT SIDE VIEW  
CUTAWAY



SUBPLATE LAYOUT



BOTTOM VIEW

NOTES:  
 1- TYPE 3R ENCLOSURE.  
 2- 14GA STEEL CONSTRUCTION.  
 3- POWDER COATED, COLOR ANSI 49 GREY.

|              |  |
|--------------|--|
| PART NUMBER: | DBP08D50   |
| DESCRIPTION: | U30 MODULE, D50 DISPLAY, 8/I-35 MODULES & 24VDC PS |
| PROJECT:     | SOCOMEK METERING PANELS - DIGIBOX-8 STYLE          |
| CUSTOMER:    | XXXX   |
| ADDRESS:     | XXXX   |
| ADDRESS:     | XXXX   |

**socomec**  
 Innovative Power Solutions  
 9 GALEN STREET, SUITE 120  
 WATERTOWN, MA 02472

|             |   |
|-------------|---|
| DRAWING:    | SOCOMEK METERING PANELS - DIGIBOX-8 STYLE - # DBP08D50      |
| SCALE:      | NONE  |
| DATE:       | 10-5-2017 (REV-0)   |
| DRAWN BY:   | LPC   |
| CHECKED BY: | APN   |
| DRAWING #:  | SOCOMEK METERING PANELS - DIGIBOX-8 STYLE - # DBP08D50 - M1 |

| REVISIONS |  |
|-----------|--|
| REV-6     |  |
| REV-5     |  |
| REV-4     |  |
| REV-3     |  |
| REV-2     |  |
| REV-1     |  |